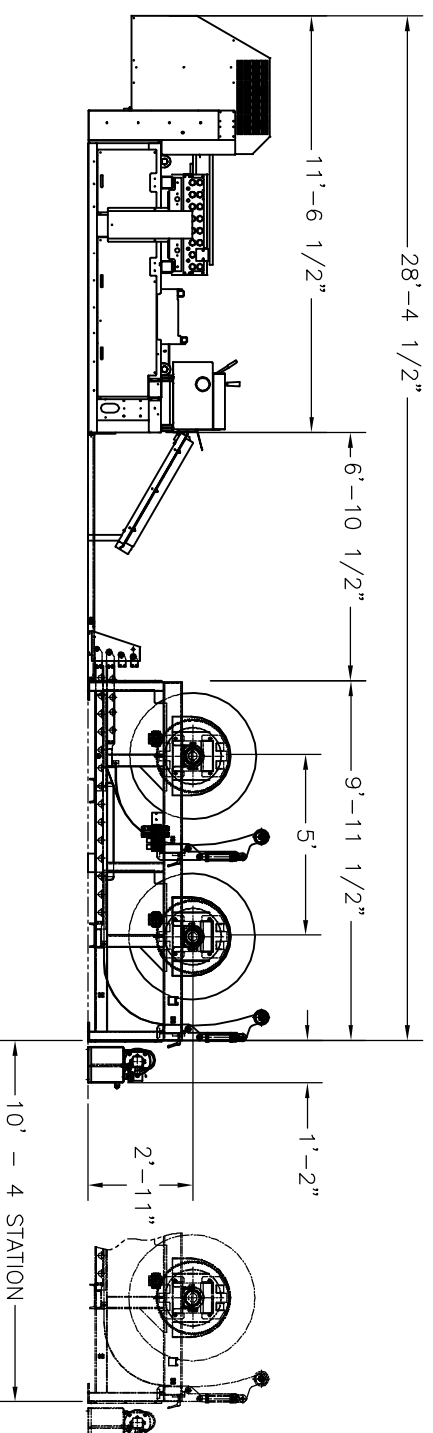
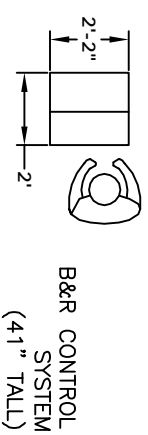
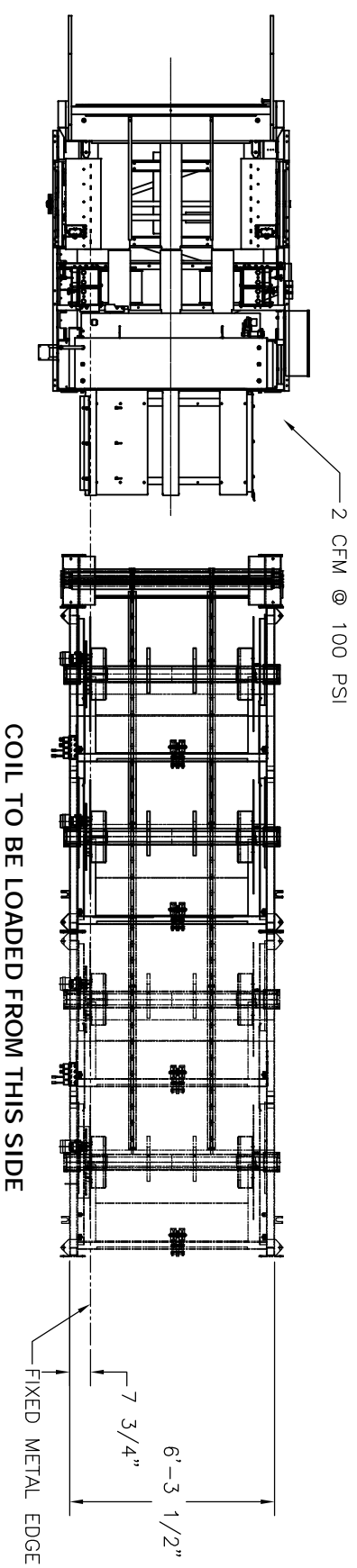


NM-VL-A-F01
5' VALUEPLUS COILINE
FRONT END

GFD2S6012K-LP-H-M-EZ
2 STATION DROP-IN

OPTIONAL
GFD4S6012K-LP-H-M-EZ
4 STATION DROP-IN



NOTES:

1. THIS DRAWING IS NOT CERTIFIED FOR CONSTRUCTION PURPOSES. ALL DIMENSIONS ARE APPROXIMATE AND SUBJECT TO CHANGE AT TIME OF FINAL DESIGN.
2. EQUIPMENT ITEMS SHOWN ARE GENERIC DRAWINGS, USED FOR ILLUSTRATION PURPOSES ONLY, AND ARE NOT INTENDED AS EXACT IMAGES OF THE EQUIPMENT DESCRIBED IN THE PROPOSAL.
3. COLUMNS, IF SHOWN ON THE DRAWING, HAVE BEEN SPECIFIED AND LOCATED BY THE CUSTOMER. NO OTHER COLUMNS OR PILLARS ARE KNOWN TO EXIST IN THE AREA SELECTED FOR INSTALLATION OF THIS EQUIPMENT.
4. ELECTRICAL DROPS ARE APPROXIMATE LOCATIONS AND MAY CHANGE DURING DESIGN. WHEN SHOWN, THEY ARE PHYSICALLY ATTACHED TO THE EQUIPMENT. THEIR LOCATION MAY VARY 2-6 FEET IN ANY DIRECTION, DEPENDING UPON FINAL EQUIPMENT ALIGNMENT AT THE CUSTOMER'S SITE.
5. EQUIPMENT GROUNDING & BONDING: THE CUSTOMER IS RESPONSIBLE FOR EQUIPMENT GROUNDING (NEC ARTICLE 250). THE GROUND ELECTRODE SHALL HAVE A RESISTANCE OF 25 OHMS OR LESS (NEC ARTICLE 250.56). NOTE: ONE OR MORE DRIVEN GROUND RODS (5/8" X 10'), MAY BE REQUIRED. THE BONDING JUMPER BETWEEN THE GROUNDING ELECTRODE AND EQUIPMENT SHALL BE 6 AWG COPPER (MIN) AND SHALL BE PROVED AT ELECTRICAL DROP "A".

APPROVED BY: _____

QUOTE NO: -----	SALES ORDER: -----	MESTEK ENGEL INDUSTRIES MACHINERY 5480 6TH STREET S.W. CEDAR RAPIDS, IA 52404 PHONE: 319 364-9181
DRAWN BY: SJK	DATE: 06/07/10	
CD NUMBER: CD-XXXX	SCALE: ---	
FULL LOAD AMPS: 19.8 AMPS @ 460/3/60		
TOTAL AIR REQUIREMENT: 2 CFM @ 100 PSI		CUSTOMER: LH METAL LINE - LH CONTROLS SALES STANDARD
		FLOOR LAYOUT NUMBER: SS-5004
		SHT 1 OF 1